

# TURBINE DROPPER POST

## QUICK START GUIDE

### TOOLS



2mm HEX



3mm HEX



4mm HEX



CABLE CUTTER

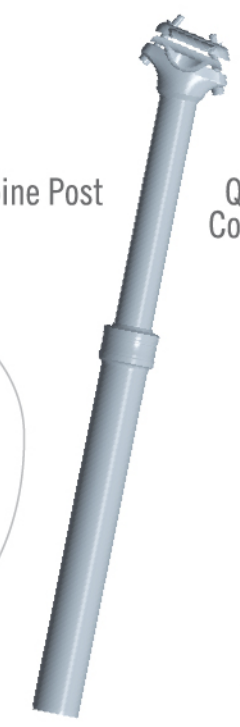
### IN THE BOX



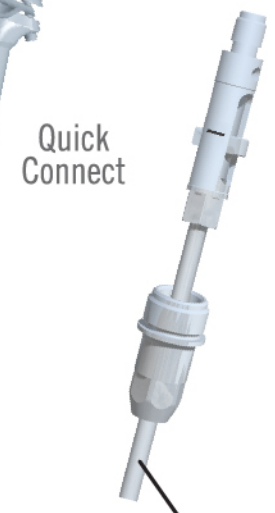
Adjuster



Lever & Cable



Turbine Post



Quick Connect

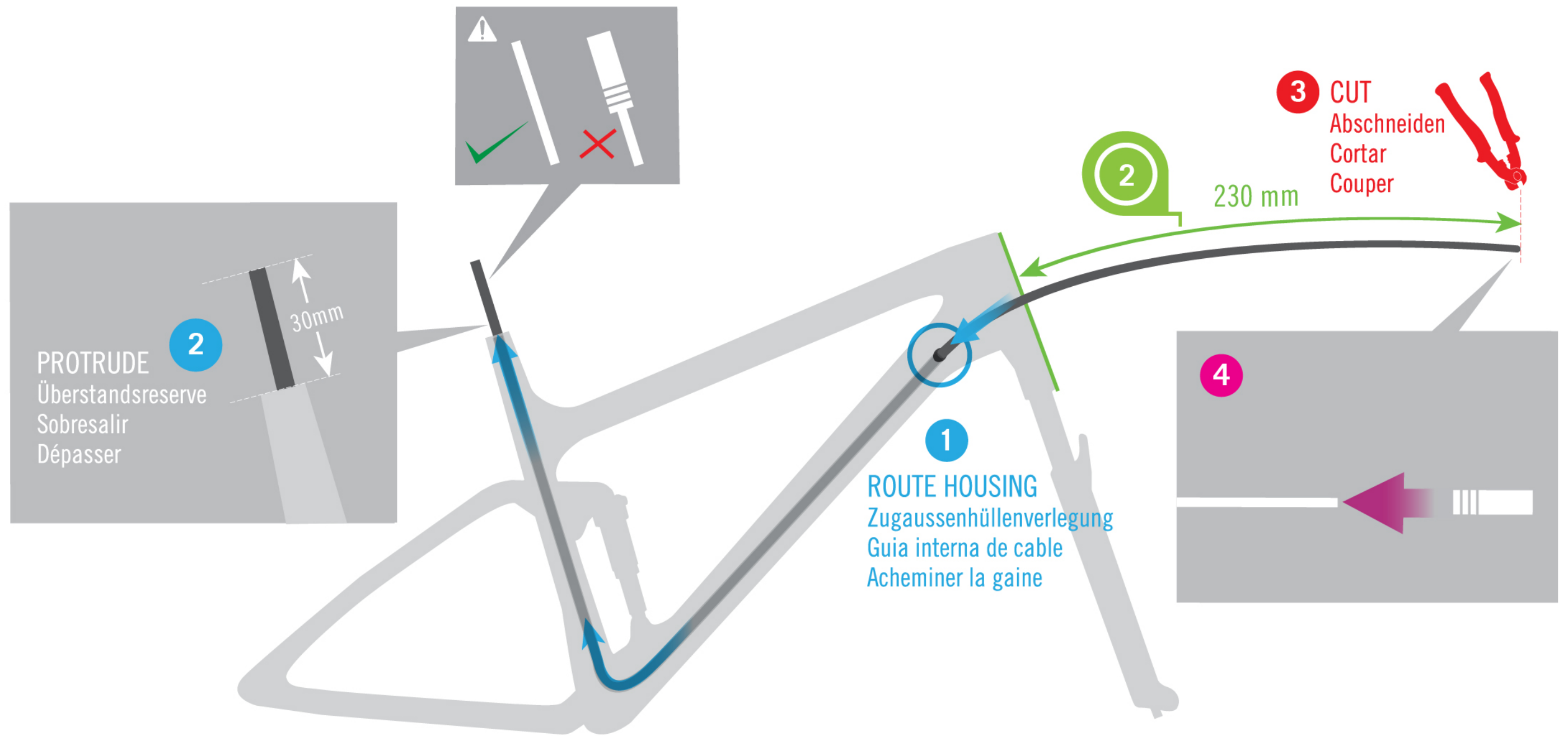


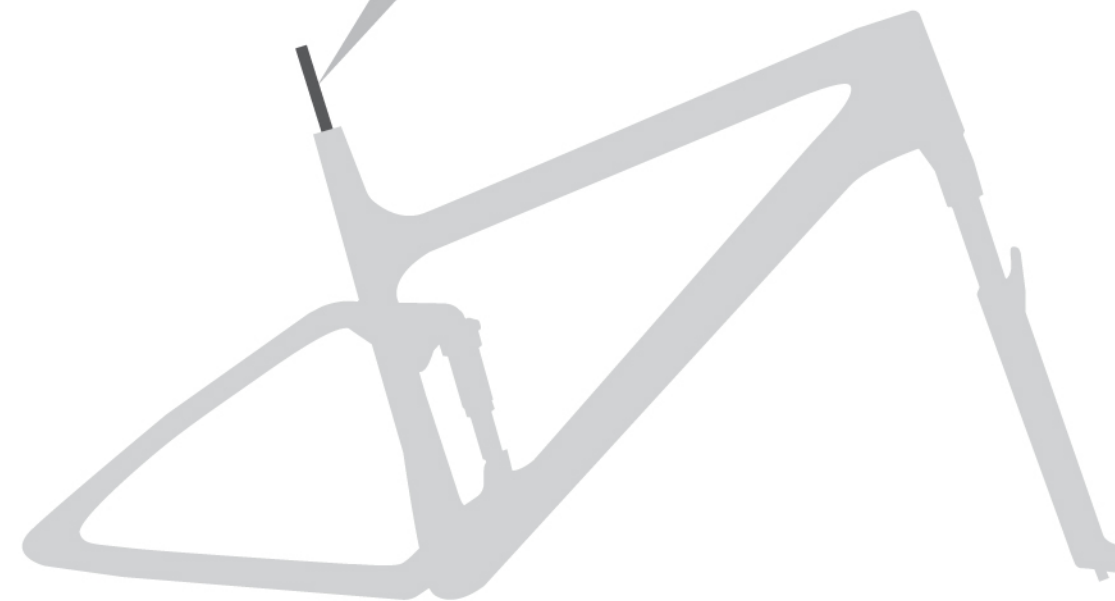
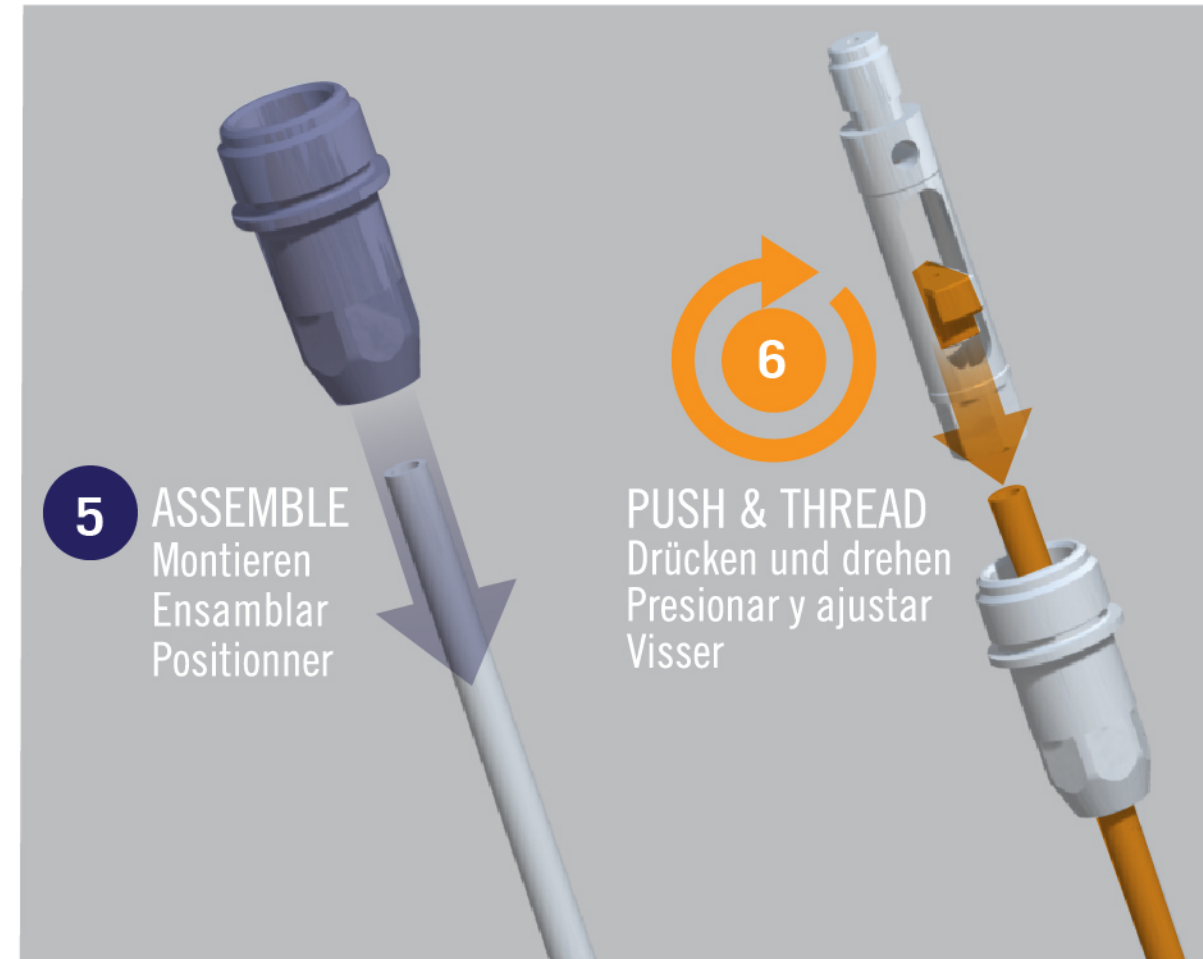
Housing

REMOVE BEFORE  
INSTALL

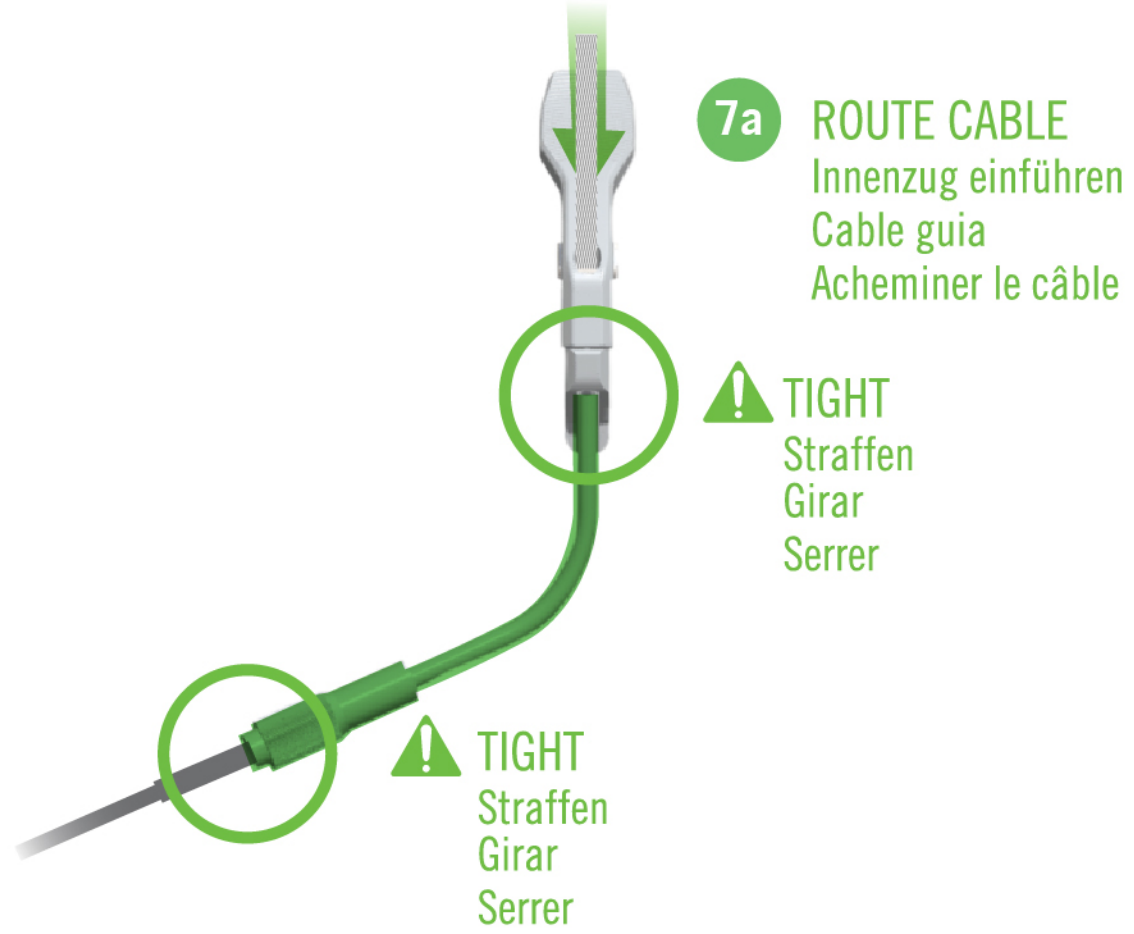
INSTALL VIDEO AND SUPPORT

[RACEFACE.COM/SUPPORT](https://www.raceface.com/support)



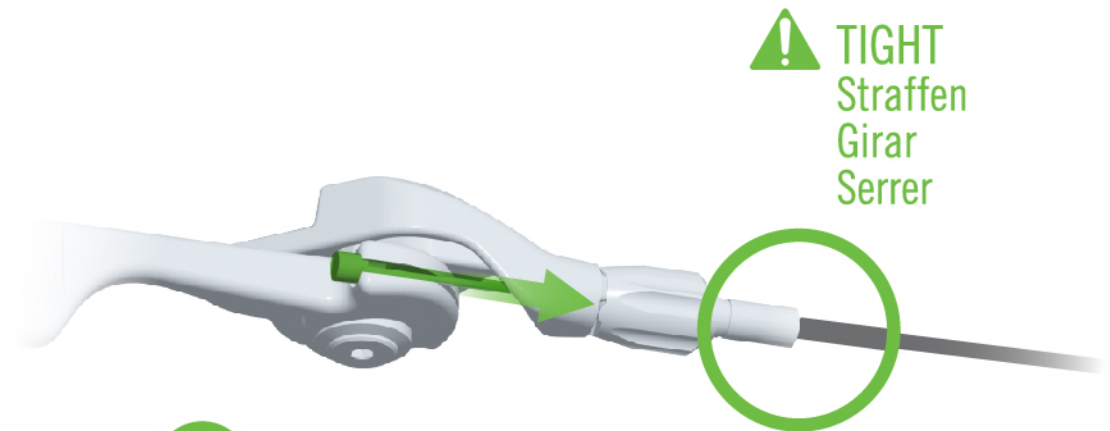


UNIVERSAL TURBINE LEVER

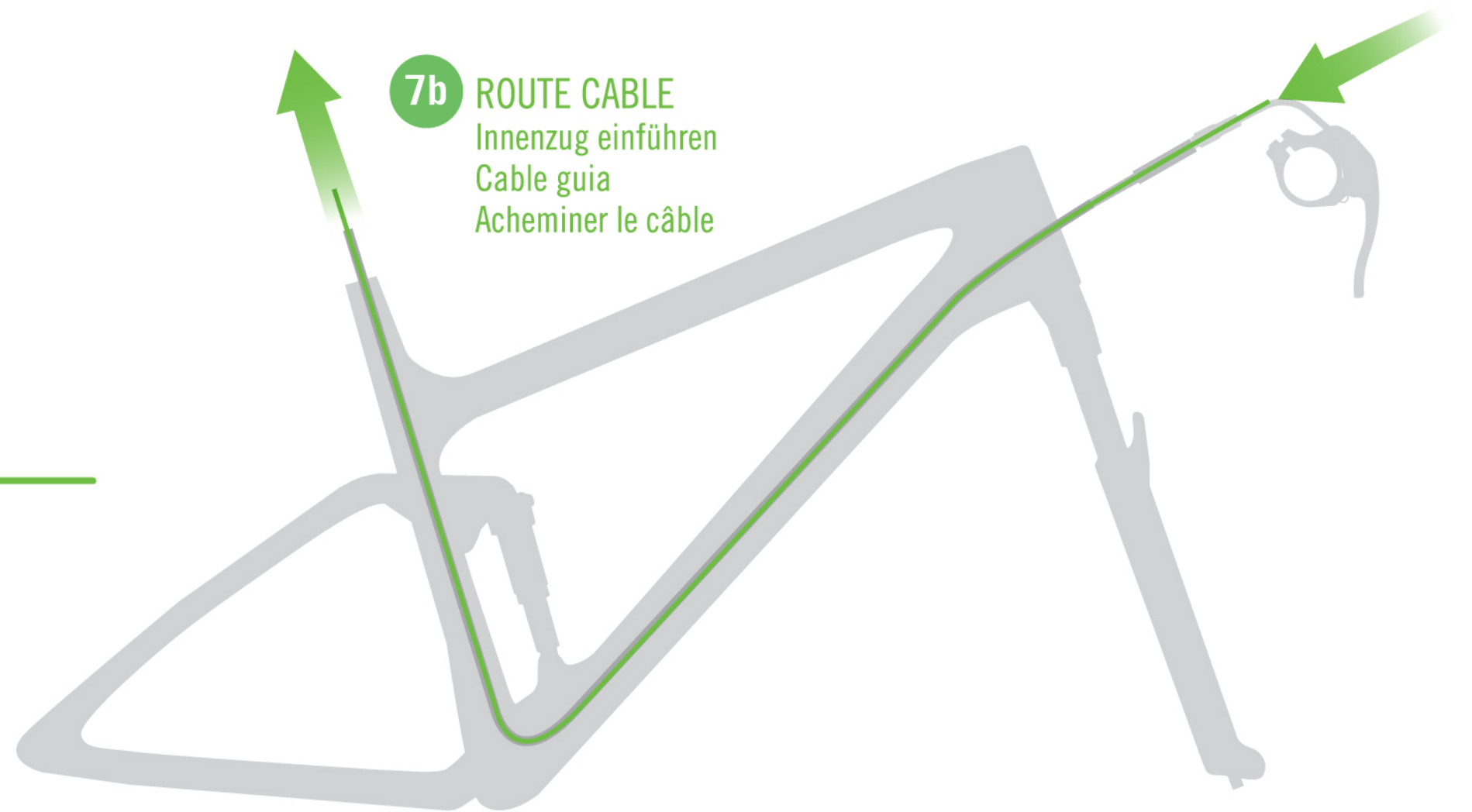


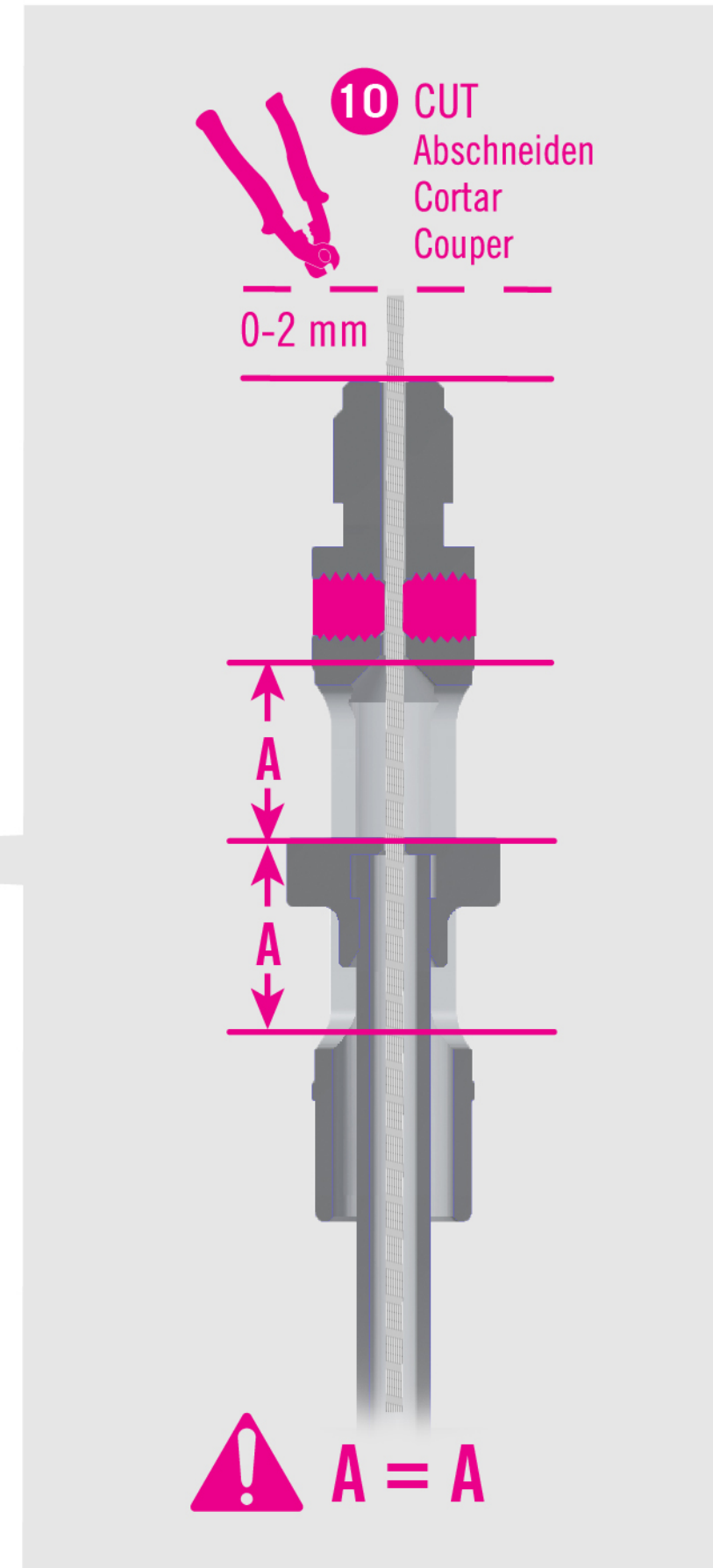
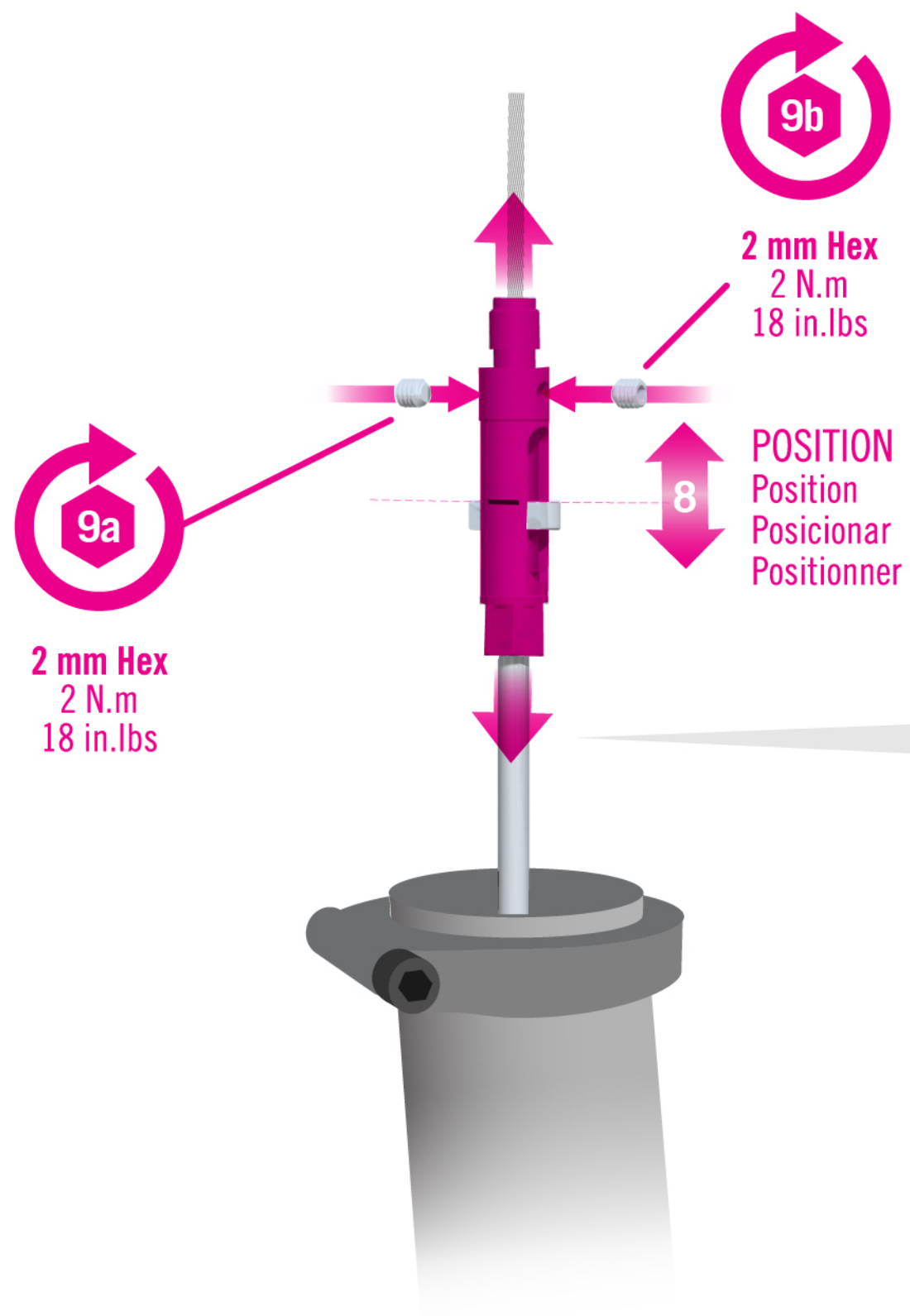
OR

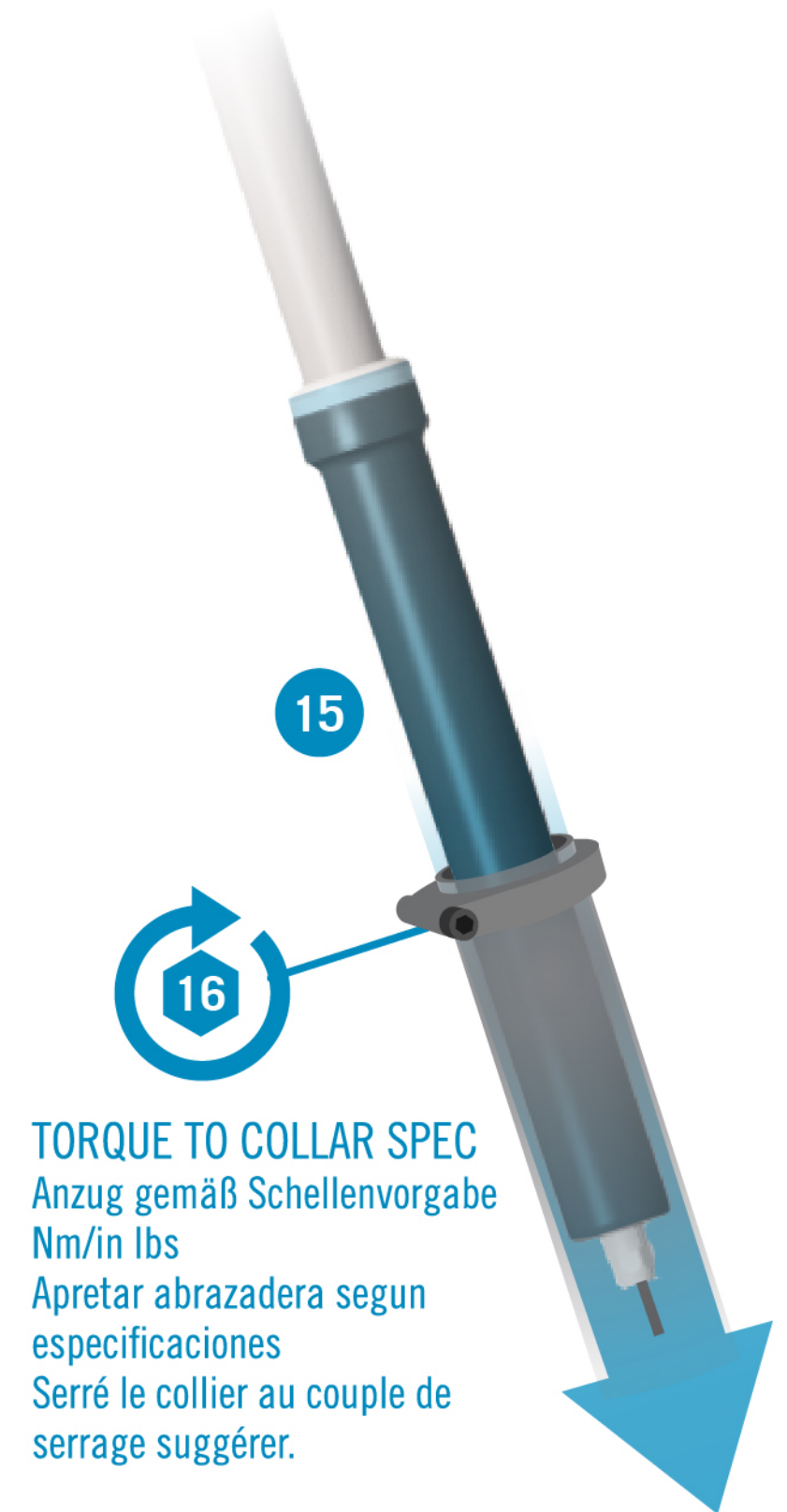
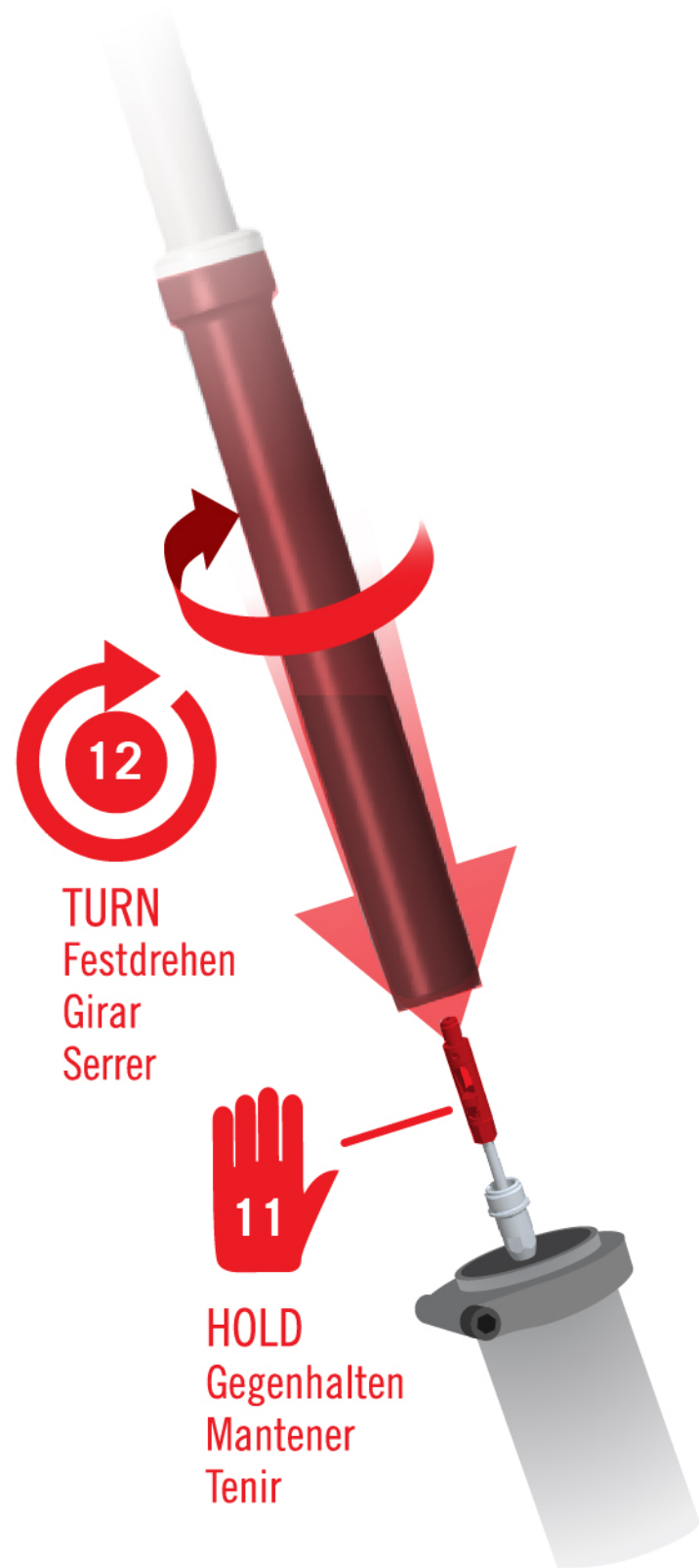
RACE FACE1X LEVER



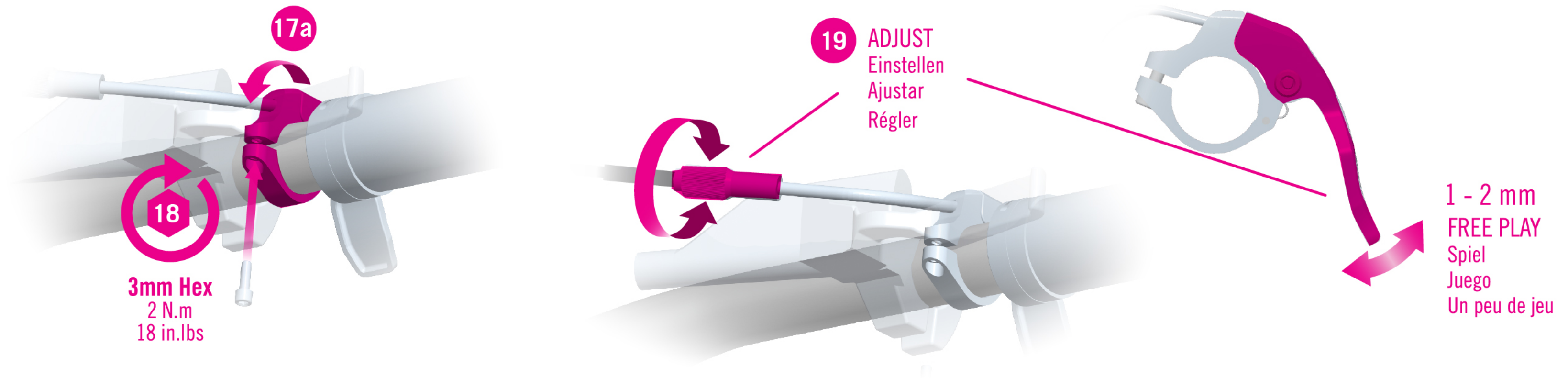
**7a** ROUTE CABLE  
Innenzug einführen  
Cable guia  
Acheminer le câble



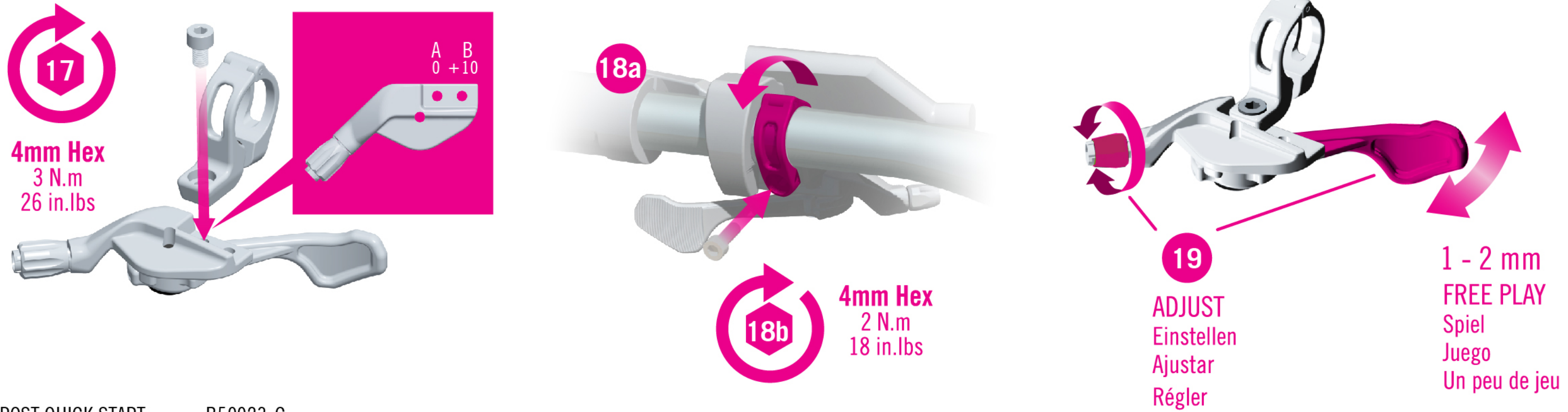


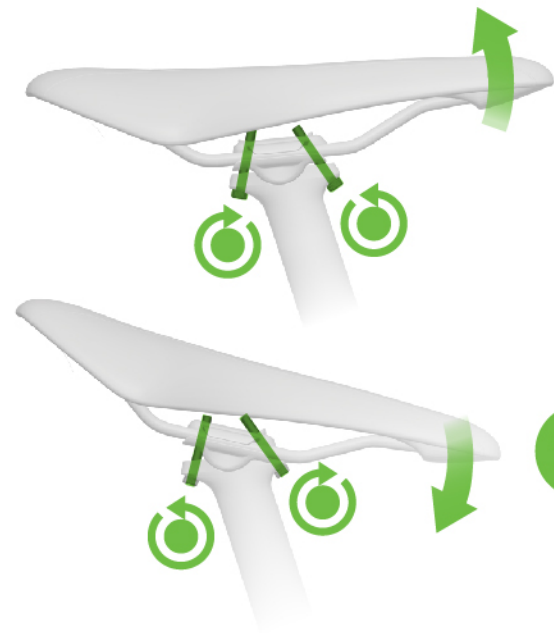
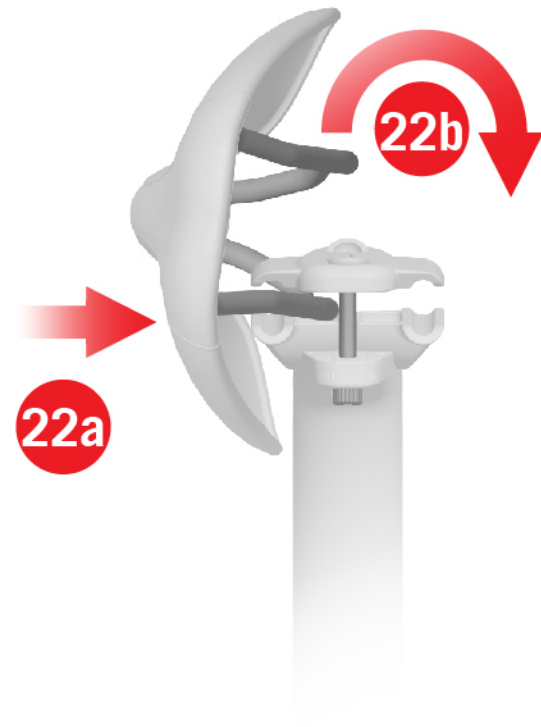
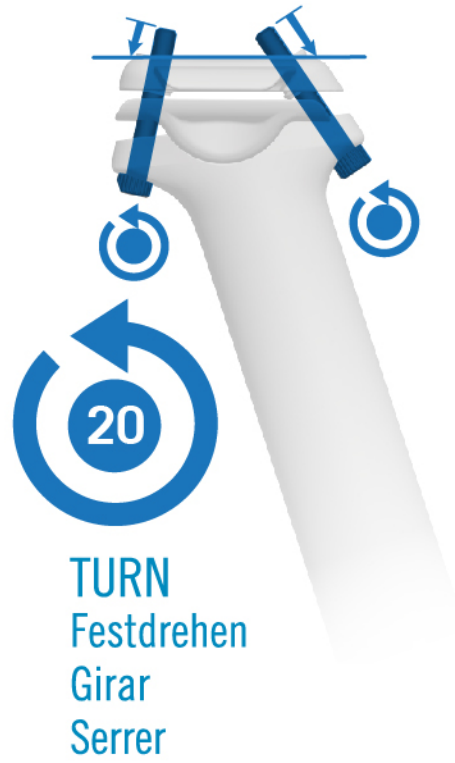
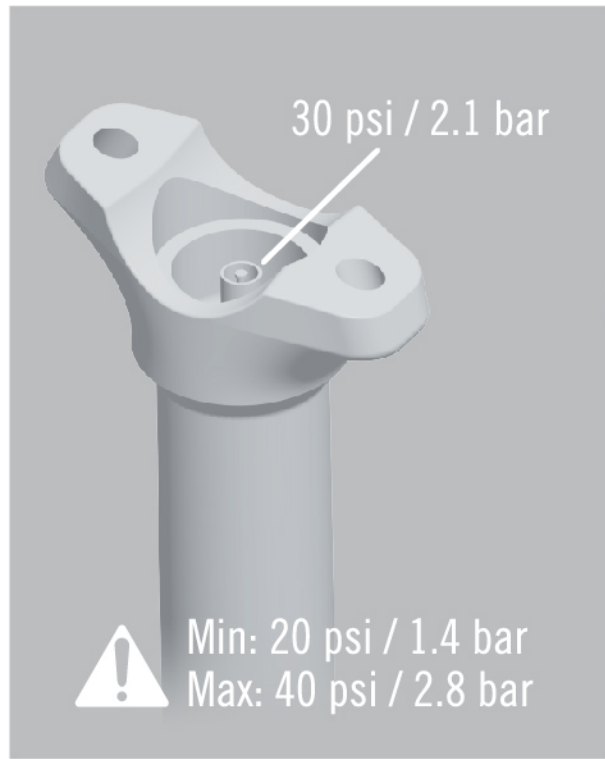


**UNIVERSAL TURBINE LEVER**

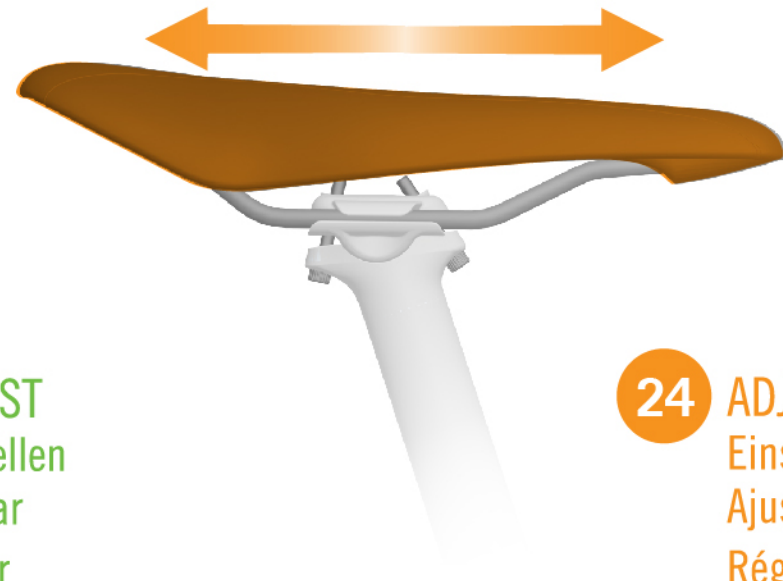


**RACE FACE1X LEVER**

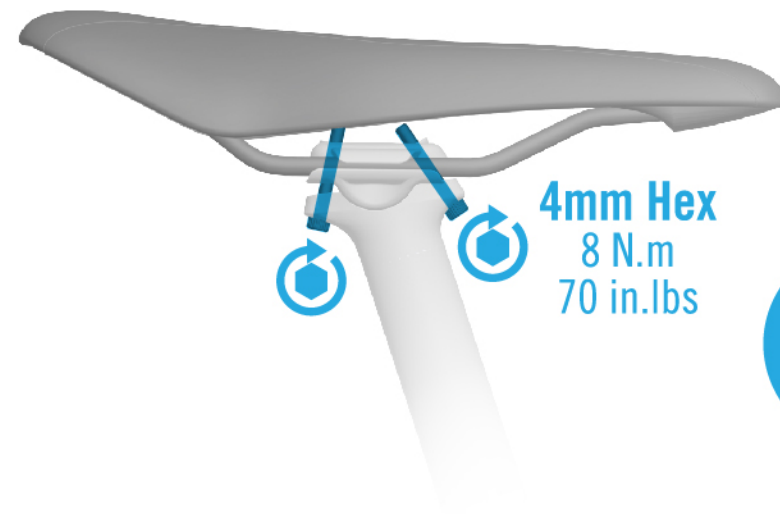




**ADJUST**  
Einstellen  
Ajustar  
Régler



**ADJUST**  
Einstellen  
Ajustar  
Régler



**TORQUE**  
Anziehmoment  
Apretar  
Serrer